

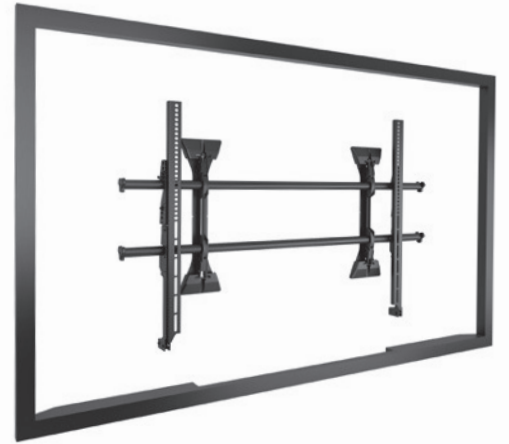
### XSM1U\* 55 - 90" MICRO-ADJUST MOUNT



For extra large displays with wide and/or tall mounting patterns.

Weight Capacity	Dimensions (HxWxD)	Mounting Patterns (W,H)	Max Lateral Shift	Height Adjust
113.4 kg	667 x 1086 x 57 mm	200 x 200 - 1086 x 600 mm	542 mm	25 mm

\* Available second quarter, 2015. Order first generation XSMU until then.



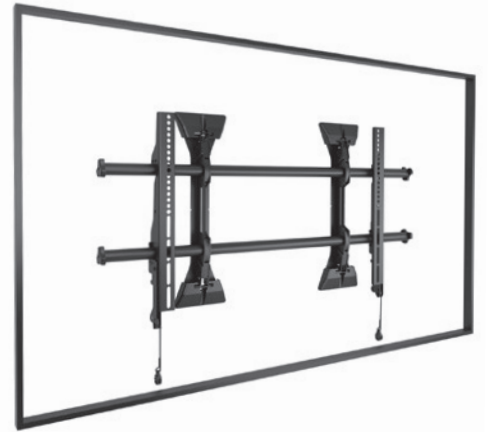
### LSM1U\* 37 - 80" MICRO-ADJUST MOUNT



Our top performing fixed mount fits most displays on the market.

Weight Capacity	Dimensions (HxWxD)	Mounting Patterns (W,H)	Max Lateral Shift	Height Adjust
90.7 kg	464 x 883 x 51 mm	100 x 100 - 881 x 400 mm	441 mm	25 mm

\* Available second quarter, 2015. Order first generation LSMU until then.



### LSA1U\* 37 - 80" WALL MOUNT



This option without micro height adjustment is ideal for installs using Chief connector kits for multi-display installations.

Weight Capacity	Dimensions (HxWxD)	Mounting Patterns (W,H)	Max Lateral Shift	Height Adjust
90.7 kg	455 x 883 x 51 mm	100 x 100 - 876 x 400 mm	441 mm	N/A

\* Available second quarter, 2015. Order first generation LSAU until then.

