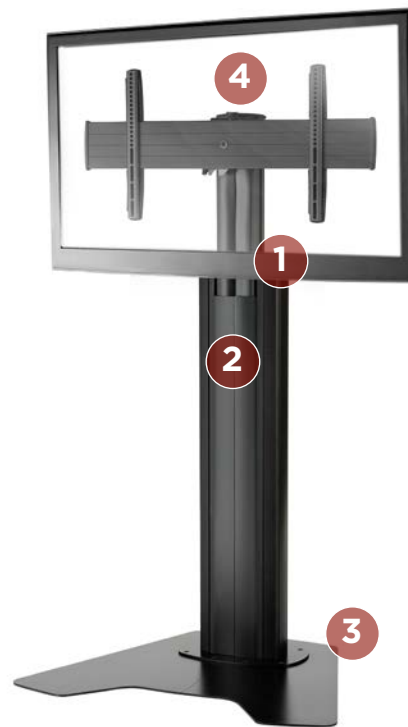




FEATURES

- 1 SINGLE PERSON HEIGHT ADJUST**
Simply turn a knob to smoothly raise and lower the screen between 106-156 cm.
- 2 CABLE MANAGEMENT**
Flexible cable covers allow access to lay in cables at any point along the column.
- 3 SLEEK AESTHETICS**
Blends in well in corporate and classroom environments.
- 4 CENTRIS TECHNOLOGY**
Adjust tilt and roll with an easy turn of knobs.



SPECIFICATIONS

Overall Dimensions (HxWxD)	184 x 97 x 78 cm
Max Height (Center of Screen)	156 cm
Tilt	±5°
Weight Capacity	90.7 kg
Colors	Black, Silver

WHAT YOU NEED TO KNOW

APPLICATION RECOMMENDATIONS

Ideal for digital signage in retail and hospitality environments

LOOKING FOR A MOBILE SOLUTION?

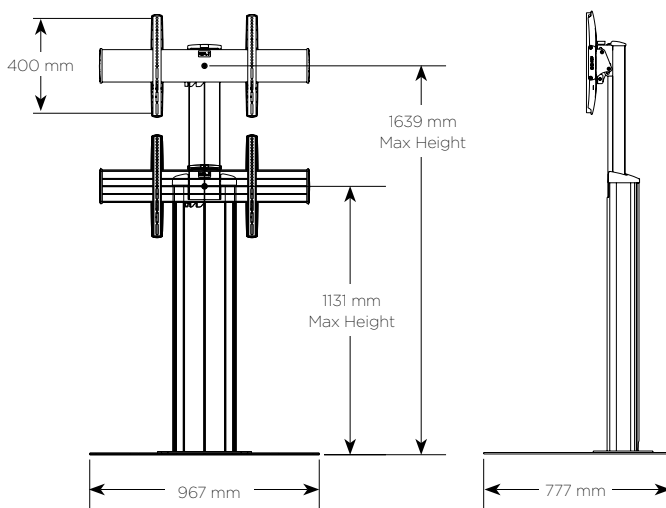
Check out the LPAU Micro-Adjustable Mobile Cart on page 69.

OTHER PRODUCT OPTION



MFAU
30 - 55" Micro-Adjustable Floor Stand

TECHNICAL DRAWINGS



RECOMMENDED ACCESSORIES



FCA611 ■ Small Accessory Shelf



FCA520 ■ UNIVERSAL CLAMP KIT, 2

For a complete list of TV mount accessories see page 79.