



Horus

ACCESS THE ELIPSON EXPERIENCE

Horus

ACCESS THE ELIPSON EXPERIENCE

The brand-new **HORUS** range of speakers is renewed, to the delight of audiophiles everywhere, offering versatile models with an unbeatable price/performance ratio. A complete package of bookshelf, floorstanding and centre loudspeakers offering precise and realistic sound reproduction for both music and home cinema enjoyment.

ELEGANCE & HARMONY

30 years on from the original, the Horus range has evolved its own refined style, complemented by a modern design available in 3 finishes: Black - Carbon / Light Wood - Beige / Walnut - Dark Grey. The elegant contrast between the front panel and the cabinetry allows the loudspeakers to blend easily into any interior. The intense black envelope of the carbon finish is perfectly suited to the world of home cinema.

PRECISION & PERFORMANCE

All of Elipson's expertise in designing precise and musical loudspeakers is reflected in this range of affordable loudspeakers. Acoustically designed as a 2.5-way for the floorstanding speaker and 2-way for the bookshelf and centre speaker, the Horus loudspeakers are composed of the same 130mm low-midrange drivers made of cellulose pulp surfaced with glass fibre and 25mm silk dome tweeter made of neodymium for perfect sound cohesion. Elipson's long standing experience in the careful design of crossovers for the famous Prestige Facet, Heritage and Legacy ranges can also be found in this new Horus range. Finally, the front bass-reflex loading principle of the models allows for easy placement of the speakers in any room.

EXTREMELY VERSATILE

Composed of a bookshelf loudspeaker, a floorstanding loudspeaker, a centre loudspeaker and an active subwoofer, the Horus range brings all the experience of Elipson's know-how to those music lovers who prefer rich timbres, luminosity and softness of the treble spectrum, controlled presence of the bass and an airy sound image, for a stereo or home-cinema installation.

elipson® | Horus

THE REVIVAL RANGE



Horus 11F

Floorstanding loudspeaker

The Elipson Horus 11F floorstanding loudspeaker condenses all of Elipson's experience and know-how into a carefully designed speaker that offers exceptional musicality for this price category.

This elegant floorstanding loudspeaker, acoustically designed as a 2.5-way, is composed of two 130mm (5") cellulose pulp bass-midrange drivers with a glass fibre coating and a 25mm (1") neodymium silk dome tweeter, for perfect sonic cohesion. Finally, the front bass-reflex design allows for easy placement of the speakers in any room.

With a height of 85cm and a width of 17.5cm, the Horus 11F loudspeaker can be easily integrated into the vast majority of homes. The small footprint and the three available finishes make it an easy to fit into any configuration. The spikes of the floor-standing loudspeaker are removable and thus facilitate exact positioning.



Horus 6B

Bookshelf loudspeaker

The Elipson Horus 6B bookshelf loudspeaker offers, in a compact format, an astonishing musicality for its price. Condensing all of Elipson's experience and know-how, this elegant passive loudspeaker reproduces a magnificent, airy sound image and an articulate extension of the bass register that is astonishing for its size. Its great acoustic versatility allows it to be used in a stereo or multi-channel home cinema installation.

Designed as a 2-way speaker, it is composed of a 130 mm low-midrange speaker made of cellulose pulp surfaced with glass fibre and a 25 mm silk dome tweeter made of neodymium, all of which offer a perfect sound cohesion.

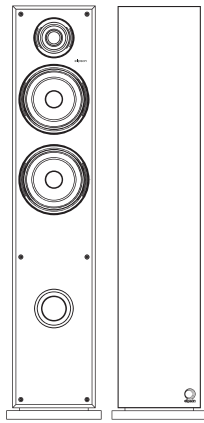


Horus 10C

Center loudspeaker

The Elipson Horus 10C centre loudspeaker is dedicated to home cinema compositions and allows you to create a complete surround system at an affordable price.

2-way acoustic design, it is composed of a 130 mm low-midrange speaker made of cellulose pulp surfaced with glass fibre and a 25 mm neodymium silk dome tweeter. The Horus 10C is the same configuration as the Horus 11F floorstanding loudspeaker, offering perfect sonic cohesion when listening to films or concerts. Loaded according to the front bass-reflex principle and although of reduced size, it respects the sonic density of the voices, freeing itself from any "pinched" reproduction in the midrange.



TECHNICAL

Type

Floorstanding loudspeaker - 2.5 way Acoustics - Bass - reflex

Port

Flared - Front ported for lower load - Tuned Freq.: 45 Hz

Power

120 W RMS

Drive-units

Mid-Woofers : 2 x 5" Mixed of glass fiber and paper
Tweeter : 1" silk dome - Neodymium

Crossover - Fc

2800 Hz - 12 dB / 12 dB

Frequency response (±3dB)

40 - 25 000 Hz

Recommended power amplifier

50 - 200 W

Sensitivity

90 dB / 1W / 1m

Nominal impedance

6 Ohms

Minimum impedance

4,3 Ohms @ 190 Hz

Terminal

Single wire

DIMENSIONS
WEIGHT

Dimensions

H850 (875 with base) x W175 x D250 (270 with grille)

Net weight (unit)

13 kg

PACKAGING

Packaging dimensions

L363 x H914 x D255 mm

Gross weight (pair)

15 kg

FINISHES
-
PRODUCTS
CODES



Finish

Light wood - Beige

SKU

ELIHOR11FLWB

EAN

3700795193211



Finish

Walnut-Dark grey

SKU

ELIHOR11FWNDG

EAN

3700795193235



Finish

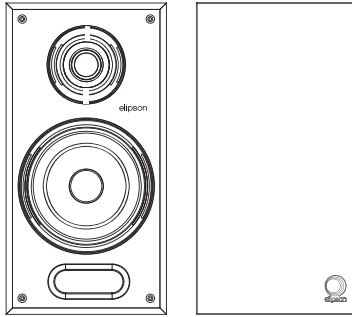
Black - Carbon

SKU

ELIHOR11FBKC

EAN

3700795193228



TECHNICAL

<p>Type Bookshelf loudspeaker - 2 way - Bass - reflex</p> <p>Port Front ported - Tuned Freq. : 55 Hz</p> <p>Power 70W RMS</p> <p>Drive-units Mid-Woofers : 5" Mixed of glass fiber and paper Tweeter : 1" silk dome - Neodymium</p> <p>Crossover - Fc 3000 Hz - 12dB/12dB</p>	<p>Frequency response (±3dB) 55 - 25 000 Hz</p> <p>Recommended power amplifier 30 - 120 W</p> <p>Sensitivity 87 dB / 1W / 1m</p> <p>Nominal impedance 8 Ohms</p> <p>Minimum impedance 6,4 Ohms @ 280 Hz</p> <p>Terminal Single wire</p>
--	---


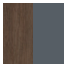

DIMENSIONS
WEIGHT

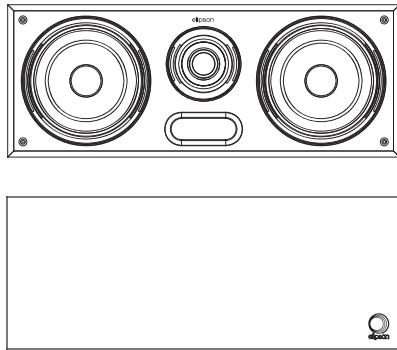
<p>Dimensions H340 x L175 x D250 (270 with grille)</p>	<p>Net weight (unit) 5 kg</p>
---	--

PACKAGING

<p>Packaging dimensions L380 x H410 x D313 mm</p>	<p>Gross weight (pair) 12 kg</p>
--	---

FINISHES
-
PRODUCTS
CODES

	<p>Finish Light wood - Beige</p>	<p>SKU ELIHOR6BLWB</p>	<p>EAN 3700795193150</p>
	<p>Finish Walnut-Dark grey</p>	<p>SKU ELIHOR6BWNDG</p>	<p>EAN 3700795193174</p>
	<p>Finish Black - Carbon</p>	<p>SKU ELIHOR6BBKC</p>	<p>EAN 3700795193167</p>



TECHNICAL

<p>Type Center loudspeaker - 2 way - Bass - reflex</p> <p>Event Front ported - Tuned Freq. : 62 Hz</p> <p>Power 100 W RMS</p> <p>Drive-units Mid-Woofers : 2 x 5" Mixed of glass fiber and paper Tweeter : 1" silk dome - Neodymium</p> <p>Crossover - Fc 2500 Hz - 12 dB / 12 dB</p>	<p>Frequency response (± 3dB) 52 - 25 000 Hz</p> <p>Recommended power amplifier 30 - 150 W</p> <p>Sensitivity 91 dB / 1W / 1m</p> <p>Impedance 6 Ohms</p> <p>Terminal Single wire</p>
--	--




DIMENSIONS
WEIGHT

<p>Dimensions H175 x L450 x D250 (270 with grille)</p>	<p>Net weight (unit) 6,2 kg</p>
---	--

PACKAGING

<p>Packaging dimensions L313 x H215 x D490 mm</p>	<p>Gross weight (pair) 7,5 kg</p>
--	--

FINISHES
-
PRODUCTS
CODES

	<p>Finish Light wood - Beige</p>	<p>SKU ELIHOR10CLWB</p>	<p>EAN 3700795193181</p>
	<p>Finish Walnut-Dark grey</p>	<p>SKU ELIHOR10CBKC</p>	<p>EAN 3700795193198</p>
	<p>Finish Black - Carbon</p>	<p>SKU ELIHOR10CWNDG</p>	<p>EAN 3700795193204</p>

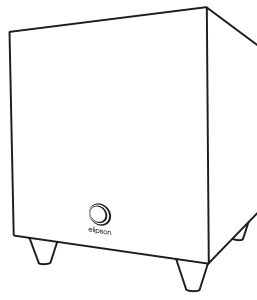
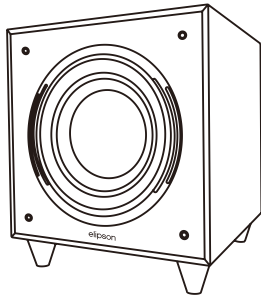
elipson® | Horus 8S

The subwoofer



is coming

SOON



TECHNICAL

Type

Powered subwoofer with passive radiator
"Down firing"

Drive-unit

Active & passive woofers : 8"

Frequency response (±3dB)

33 Hz - 200 Hz (±3 dB)

Output power

150 W RMS Class D

Subsonic Filter

24 dB to 25 Hz

Variable cut-off frequency

40 Hz to 200 Hz

Phase selector

0° / 180°

Auto On/Off

Auto

Inputs

Stereo line level (low level)

DIMENSIONS
WEIGHT

Dimensions without feet

H280 x L280 x D280 mm

Net weight

8 kg

Dimensions with feet

H323 x L280 x D280 mm

PACKAGING

Dimensions packaging

L390 x D375 x H410 mm

Gross weight

11 kg

FINISHES
-
PRODUCTS
CODES



Finish
Light wood - Beige

SKU
ELIHOR8SLWB

EAN
3700795193242



Finish
Walnut-Dark grey

SKU
ELIHOR8SWNDG

EAN
3700795193266



Finish
Black - Carbon

SKU
ELIHOR8SBKC

EAN
3700795193259

elipson® | Horus

FINISH LIGHT WOOD - BEIGE



elipson® | Horus

FINISH WALNUT - GREY



elipson® | Horus

FINISH BLACK - CARBON

