

HI-FI SOUND, IN YOUR WALLS.

Designed to redefine the sound experience within your spaces, the INF IW6 and INF IW8 embody the perfect union of exceptional audio performance and total discretion.

The INF IW6, with its 100 W, features a 160 mm carbon fiber bass-midrange driver combined with polymethylacrylamide (PMI) foam, ensuring precise sound reproduction. Its 25 mm titanium dome tweeter, which can be rotated up to 35°, guarantees optimum sound diffusion in all directions.

As for the INF IW8, with 130 W of power and its 200 mm carbon fiber bass-midrange driver and polymethylacrylamide (PMI) foam, it offers unrivalled richness of sound. Its 25 mm titanium dome tweeter, also rotatable up to 35°, ensures perfect adaptability to the unique configuration of your listening space.

Both loudspeakers cover a wide audio spectrum, with response frequencies of 60 Hz to 30 kHz for the INF IW6 and 45 Hz to 30 kHz for the INF IW8. Every nuance and musical detail is deeply captured, ensuring a complete audio experience.

Thanks to their flush-mount design, they literally blend into your walls, offering a compact, invisible alternative to a traditional acoustic installation. You sacrifice nothing in terms of sound quality, while preserving the clean aesthetics of your space.



INF IW8



INF IW6



TECHNICAL

INF IW6

Type

In-wall loudspeaker

Power

100 W

Drive Units

Mid-bass : 6" carbon fibre with polymethylacrylamide foam (PMI)

Tweeter : 1" titanium dome orientation 35° in all directions

Frequency response ($\pm 3\text{dB}$)

60 Hz - 30 kHz

Sensitivity

88 dB/ 1W/ 1m

Impedance

8 Ohms

Crossover frequency

3600 Hz

INF IW8

Type

In-wall loudspeaker

Power

130 W

Drive Units

Mid-bass : 8" carbon fibre with polymethylacrylamide foam (PMI)

Tweeter : 1" titanium dome orientation 35° in all directions

Frequency response ($\pm 3\text{dB}$)

45 Hz - 30 kHz

Sensitivity

89 dB/ 1W/ 1m

Impedance

8 Ohms

Crossover frequency

3300 Hz

DIMENSIONS WEIGHT

Dimensions

W205 x H269 x D90 mm

Cut-out dimensions

W179 x H243 mm

Net weight

1.9 kg

Dimensions

W247 x H323 x D96 mm

Cut-out dimensions

W220 x H296 mm

Net weight

2,5 kg

PACKAGING

Packaging dimensions

H134 x W339 x D269 mm

Gross weight

2.5 kg

Packaging dimensions

H140 x W393 x D312 mm

Gross weight

3.3 kg

PRODUCT CODES

SKU

ELIINF IW6

EAN

3700795193969

SKU

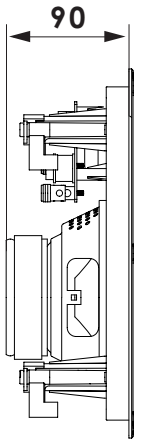
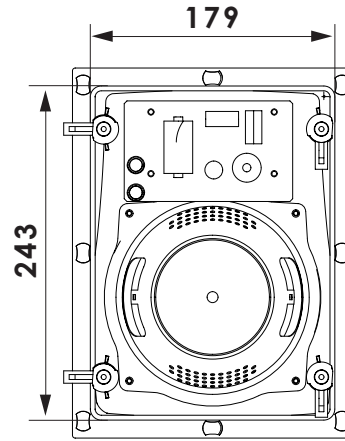
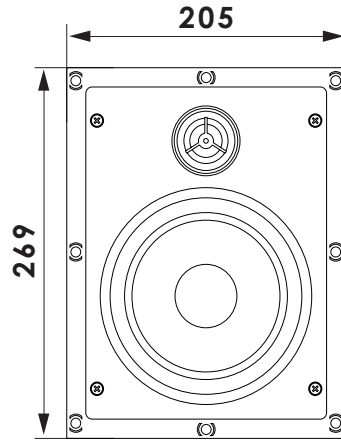
ELIINF IW8

EAN

3700795193976

DIMENSIONS

INF IW6



INF IW8

