



Easy to install

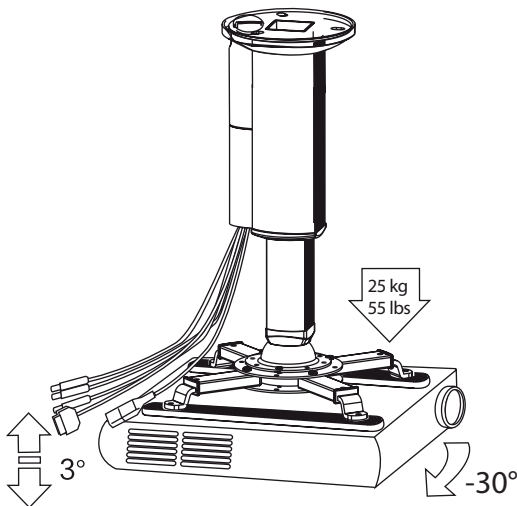


Max Load

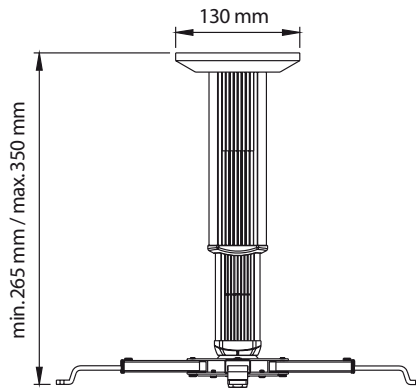


Tilt

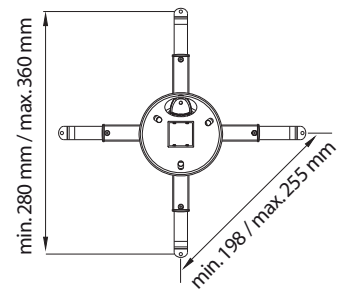
The Lumene videoprojector ceiling mount give you easy placement in the most discreet setting possible. You can orient and incline according to several axes. The model features cable-masks, height adjustment, and easy settings adjustment once the projector is in place. The articulated and telescopic arms adapt to all projector models. This model offers the Kensington® anti-theft plug security feature.



Adjustable high



Mount pattern



Features

Easy to install
 Adjustable high (ceiling to projector) : min.265 / max. 350 mm
 mount pattern (diagonal) : min. 280 / max. 360 mm
 mount pattern (same side) : min. 198 / max. 255 mm
 Tilt: +3° / -30° down
 Max load: 55,1 lbs - 25kg
 For all projectors (included Philips and Toshiba)

Accessories: Delivered disassembled with screw kit, mounting instructions and tools.

Packaging

Per Unit: W319xH145xD215mm
 net weight: 1.93kg
 gross weight: 2.52kg

Per 6 Units: W474xH316xD397mm
 net weight:15.1kg
 gross weight: 16.2kg