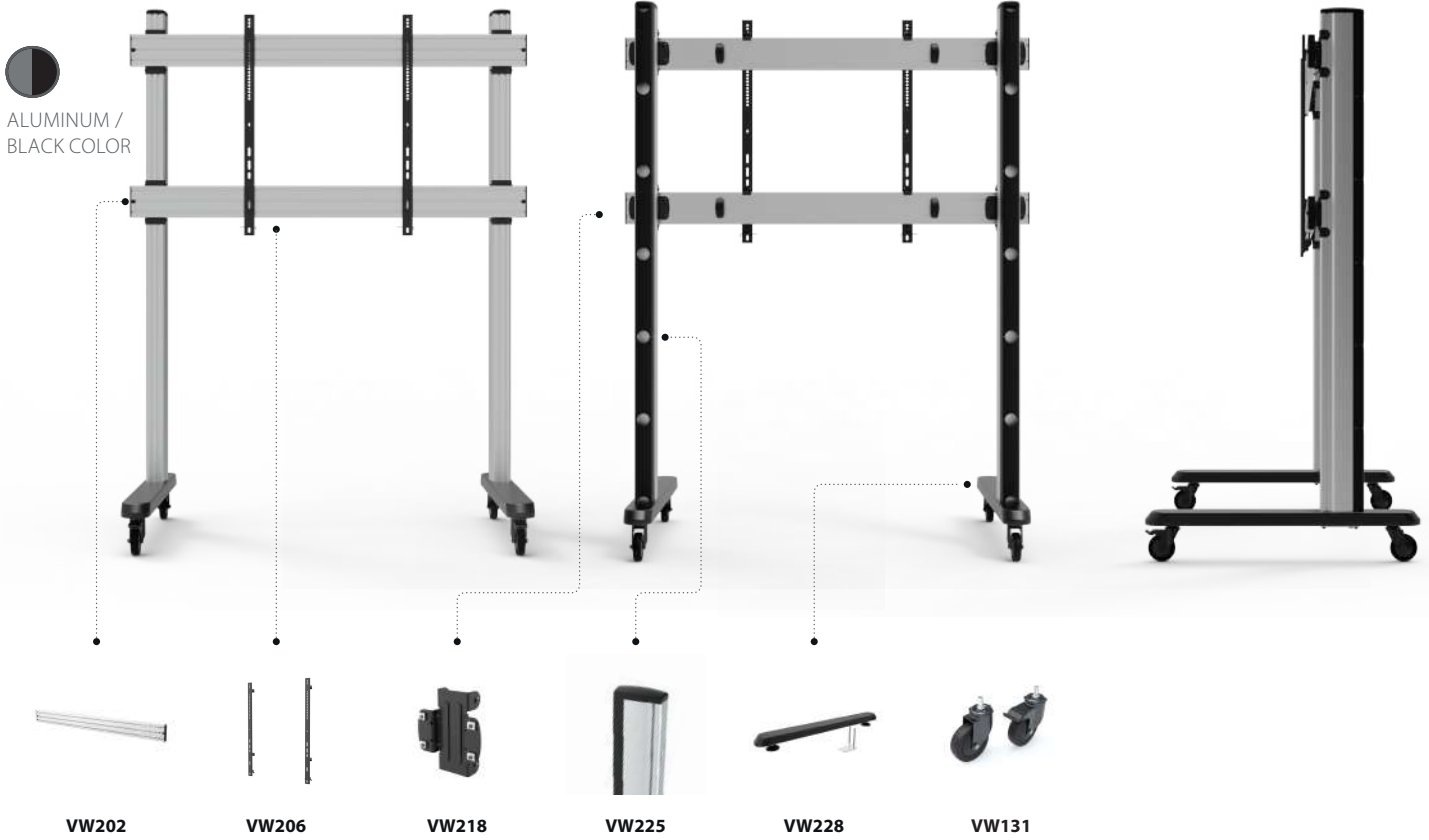


**EXAMPLE 15.1**  
FLOOR CART MOUNT  
1 DISPLAY

VESA 200x200 TO 1400x800  
150 KG / DISPLAY

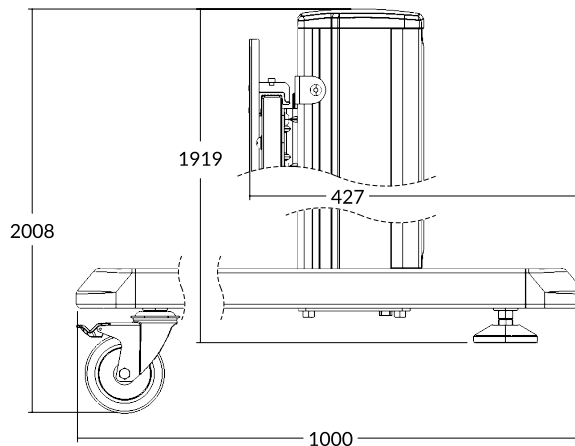


## PARTS & COMPONENTS



REF	EAN	DESIGNATION	QTY
VW202	5603209022023	ALUMINUM RAIL 1500MM	2
VW206	5603209022061	FIXED ARM 800MM	1
VW218	5603209022184	RAIL / COLUMN CONNECTOR	4
VW225	5603209022252	ALUMINIUM COLUMN 1800MM	2
VW228	5603209022283	LEG 1000MM	2
VW131	5603209091319	4" WHEELS [2PCS/SET]	2

ALL DIMENSION (MM)



EASY TO INSTALL  
AND COMBINE

**FREEDOM TO CREATE**  
MODULAR MOUNT  
WITH **UNLIMITED**  
CONFIGURATION