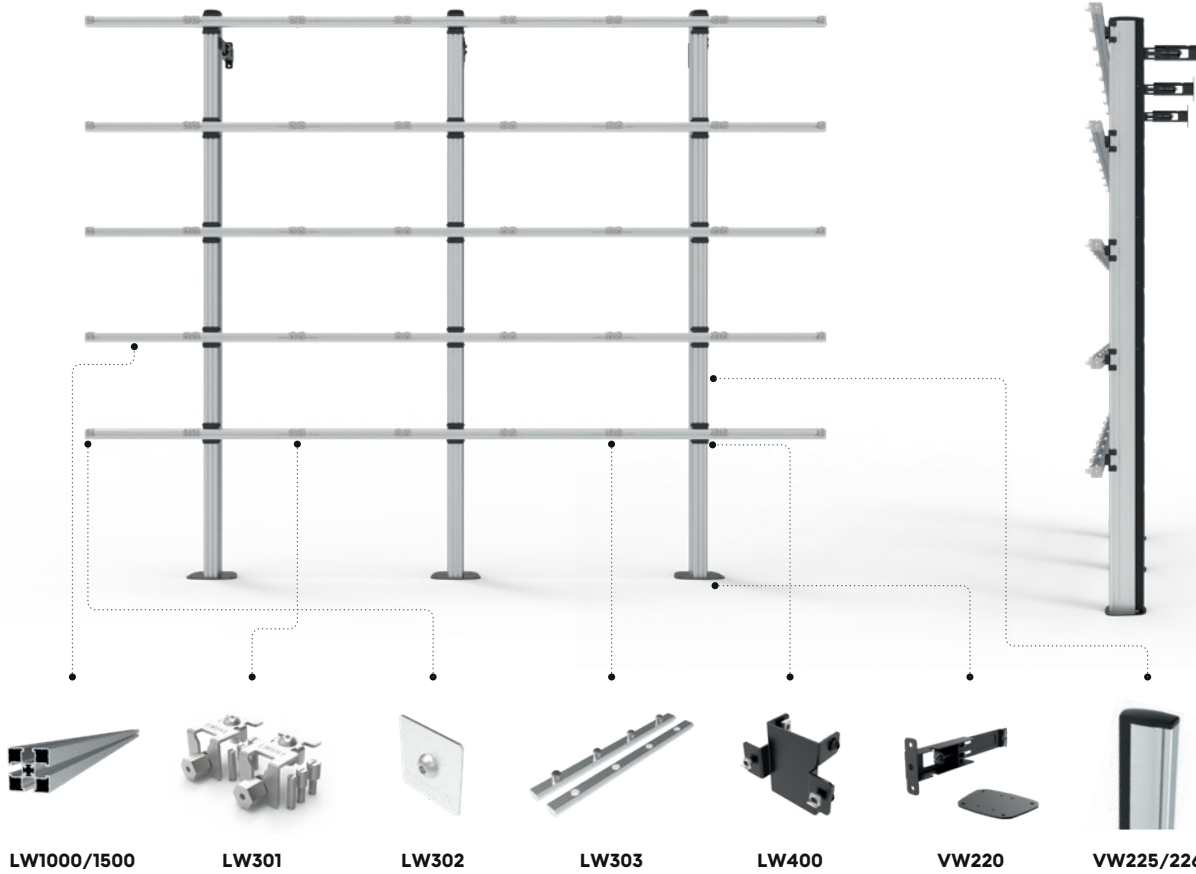


EXAMPLE N°2

GROUND BOLTED LED 7X4
28 LEDS 50X50CM



LW1000/1500

LW301

LW302

LW303

LW400

VW220

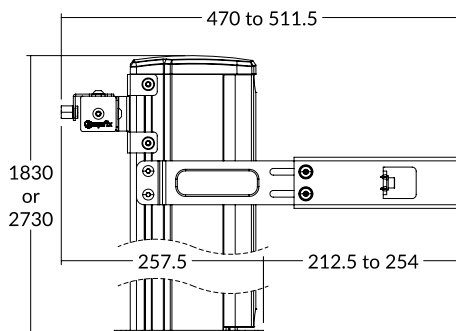
VW225/226

PARTS & COMPONENTS



REF	EAN	DESIGNATION	QTY	CATALOG
LW1000	5603209081006	ALUMINUM RAIL 1000MM	10	Pag.20
LW1500	5603209081501	ALUMINUM RAIL 1500MM	5	Pag.20
LW301	5603209083017	LED CONNECTION SET [2PCS/SET]	35	Pag.20
LW302	5603209083024	RAIL END CAP	10	Pag.20
LW303	5603209083031	AL RAIL EXTENSION BARS [2PCS/SET]	10	Pag.20
LW400	5603209084007	RAIL / COLUMN CONNECTOR	15	Pag.20
VW220	5603209022207	BASE PLATE + WALL SAFETY BRACKET	3	Pag.21
VW226	5603209022269	ALUMINIUM COLUMN 2700MM	3	Pag.22

ALL DIMENSION (MM)



EASY TO INSTALL AND COMBINE

FREEDOM TO CREATE
MODULAR MOUNT WITH **UNLIMITED** CONFIGURATION