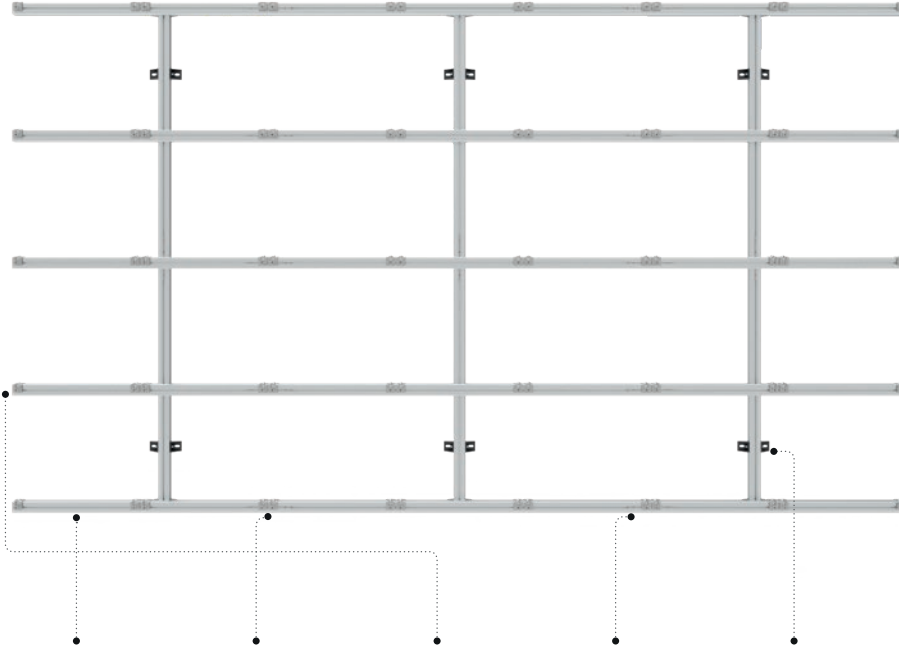


EXAMPLE N°3
WALL LED 7X4
28 LEDS 50X50CM



LW1000/1500



LW301



LW302



LW303



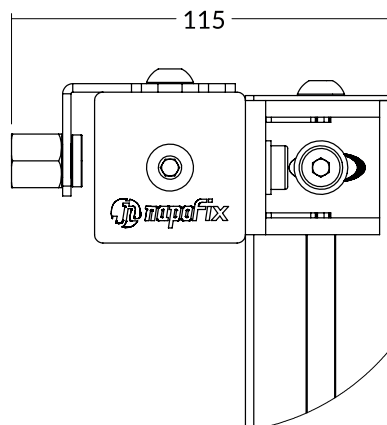
LW305

PARTS & COMPONENTS



REF	EAN	DESIGNATION	QTY	CATALOG
LW1000	5603209081006	ALUMINUM RAIL 1000MM	16	Pag.20
LW1500	5603209081501	ALUMINUM RAIL 1500MM	5	Pag.20
LW301	5603209083017	LED CONNECTION SET [2PCS/SET]	35	Pag.20
LW302	5603209083024	RAIL END CAP	16	Pag.20
LW303	5603209083031	AL RAIL EXTENSION BARS [2PCS/SET]	13	Pag.20
LW305	5603209083055	90° RAIL CONNECTOR	42	Pag.20

ALL DIMENSION (MM)



EASY TO INSTALL
AND COMBINE

FREEDOM TO CREATE
MODULAR MOUNT
WITH **UNLIMITED**
CONFIGURATION