

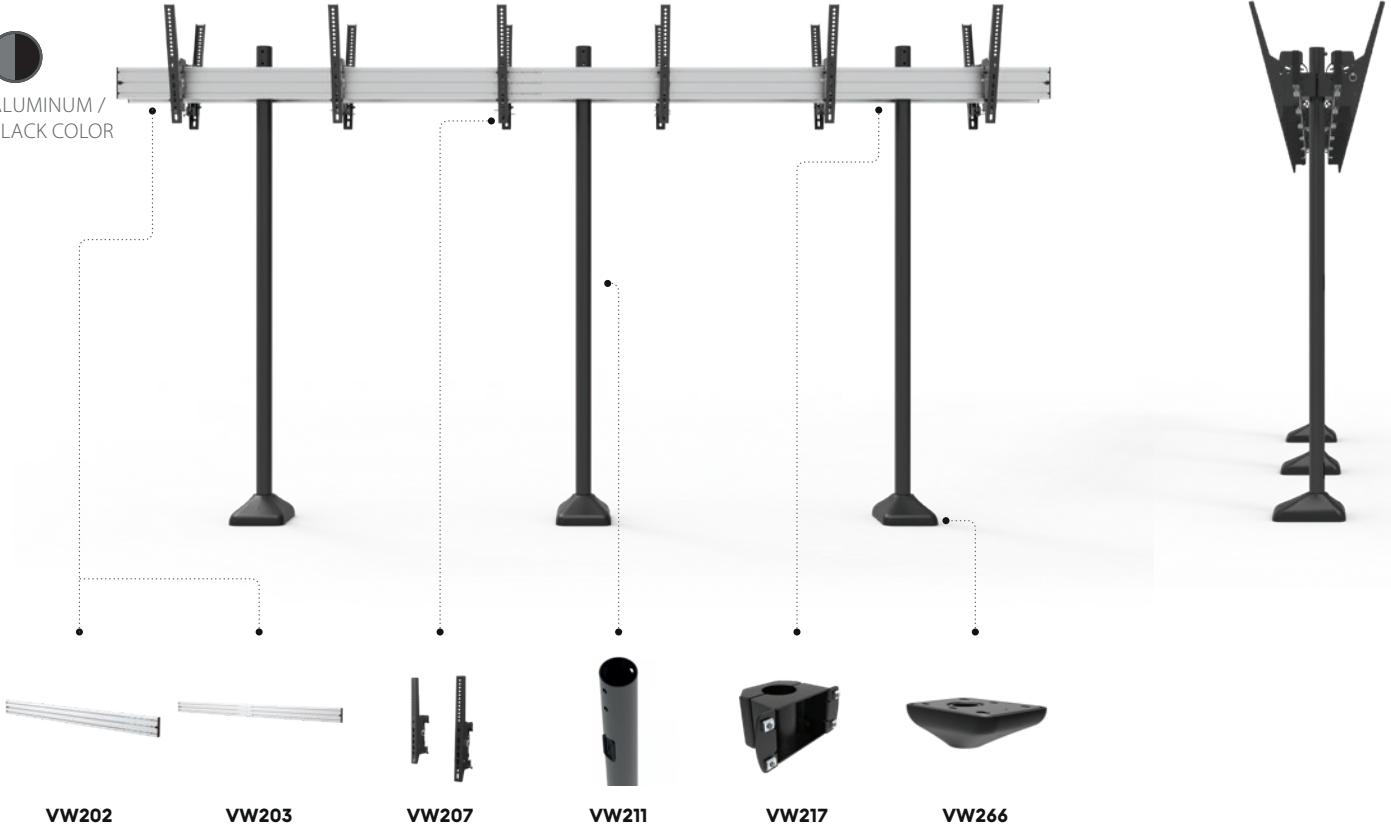
EXAMPLE N°38

GROUND BOLTED VIDEO FLOOR MOUNT
6 DISPLAYS (TILT MENUBOARD 3x1 BACK TO BACK)

VESA 200x200 TO 600x400
TILT -20° / 0°
37.5 KG / DISPLAY



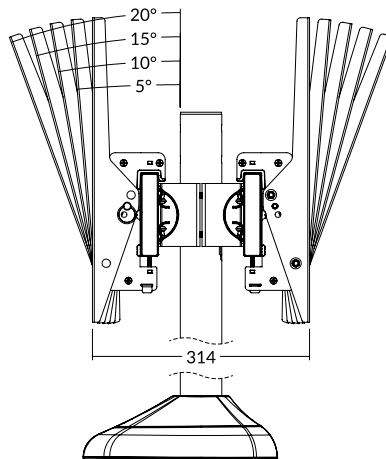
ALUMINUM / BLACK COLOR



PARTS & COMPONENTS



| REF | EAN | DESIGNATION | QTY | CATALOG |
|-------|---------------|----------------------------------|-----|---------|
| VW202 | 5603209022023 | ALUMINUM RAIL 1500MM | 2 | Pag.21 |
| VW203 | 5603209022030 | ALUMINUM RAIL 2000MM | 2 | Pag.21 |
| VW207 | 5603209022078 | TILT ARM 400MM | 6 | Pag.21 |
| VW211 | 5603209022115 | POLE 1800MM | 3 | Pag.21 |
| VW217 | 5603209022177 | RAIL / POLE CONNECTOR Ø60MM | 6 | Pag.21 |
| VW266 | 5603209022665 | FLOOR / CEILING POLE PLATE Ø60MM | 3 | Pag.22 |



ALL DIMENSION (MM)



EASY TO INSTALL AND COMBINE

FREEDOM TO CREATE
MODULAR MOUNT WITH **UNLIMITED CONFIGURATION**