

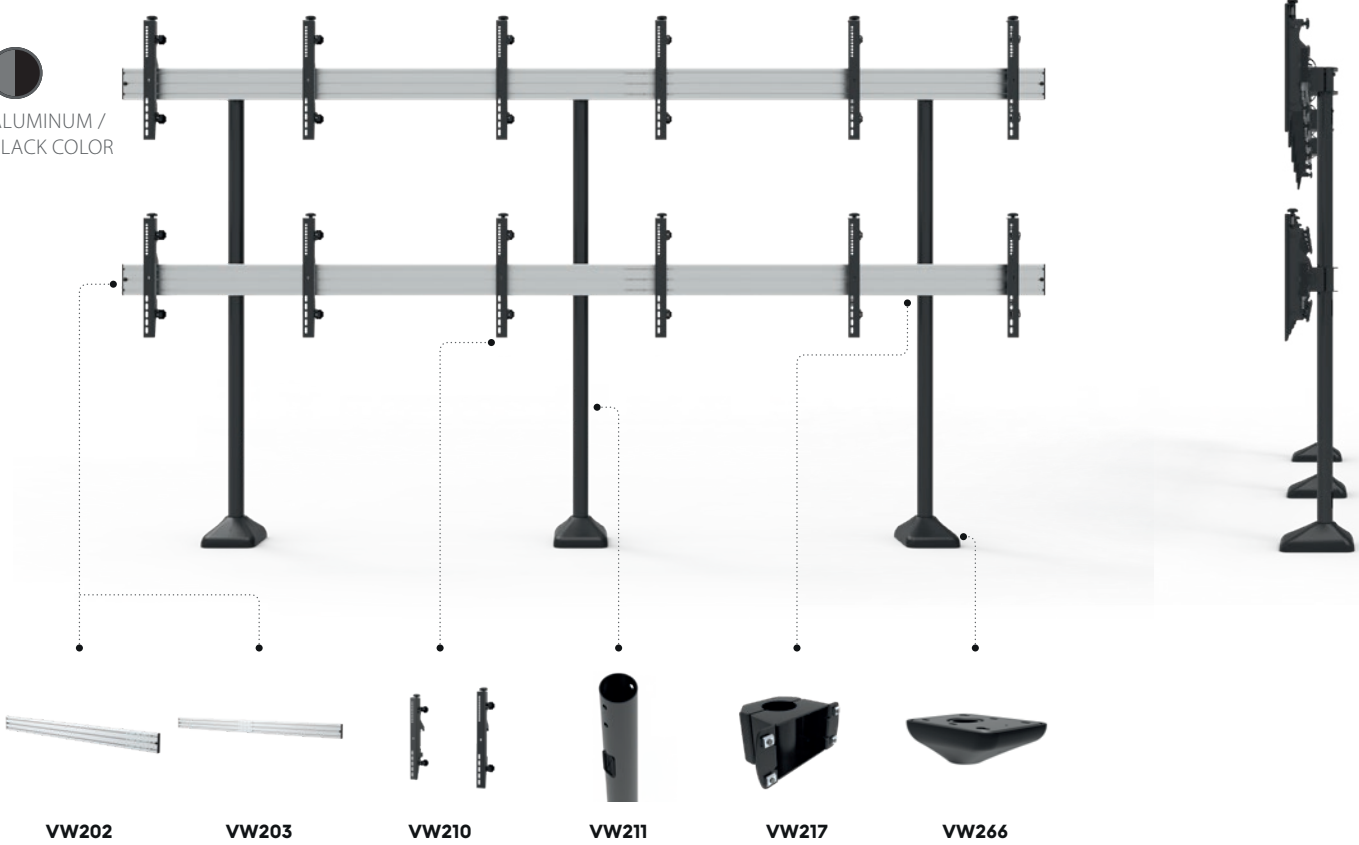
EXAMPLE N°39

GROUND BOLTED VIDEO FLOOR MOUNT
6 DISPLAYS (VIDEOWALL 3x2)

VESA 200x200 TO 600x400
50 KG / DISPLAY



ALUMINUM /
BLACK COLOR

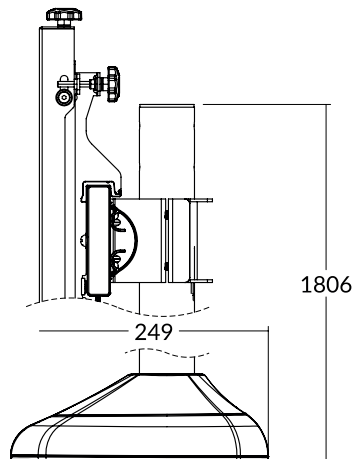


PARTS & COMPONENTS



REF	EAN	DESIGNATION	QTY	CATALOG
VW202	5603209022023	ALUMINUM RAIL 1500MM	2	Pag.21
VW203	5603209022030	ALUMINUM RAIL 2000MM	2	Pag.21
VW210	5603209022108	MICRO-ADJUSTABLE ARM 400MM	6	Pag.21
VW211	5603209022115	POLE 1800MM	3	Pag.21
VW217	5603209022177	RAIL / POLE CONNECTOR Ø60MM	6	Pag.21
VW266	5603209022665	FLOOR / CEILING POLE PLATE Ø60MM	3	Pag.22

ALL DIMENSION (MM)



EASY TO INSTALL
AND COMBINE

FREEDOM TO CREATE
MODULAR MOUNT
WITH **UNLIMITED**
CONFIGURATION