



# SW9100B

EAN 5603209001639



## CART MONITOR WORKSTATION MOUNT 13-32"

- ADJUSTABLE HEIGHT: 1280 - 1600MM
- DETACHABLE VESA PLATE
- INTEGRATED CABLE MANAGEMENT
- 4 LOCKABLE WHEELS
- EASY-GRIP HANDLES
- TILT  $\pm 30^\circ$
- ROTATION  $\pm 180^\circ$



75X75 to 100X100



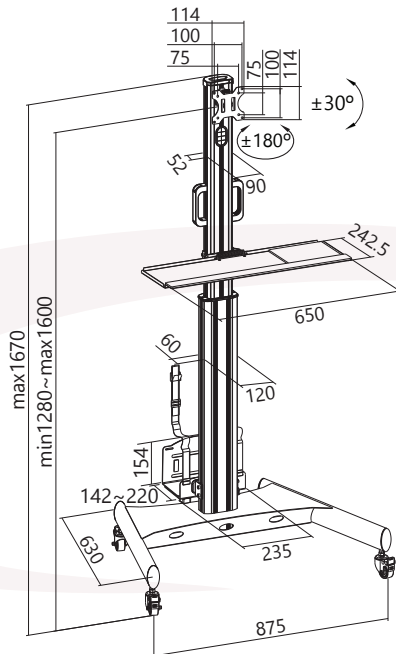
BLACK COLOR

### ORIENTATION

LANDSCAPE / PORTRAIT



13"-32"



ALL DIMENSIONS (MM)