

# VWA1174B

EAN 5603209000663

60"-105"



## CART MOUNT 60"-105"

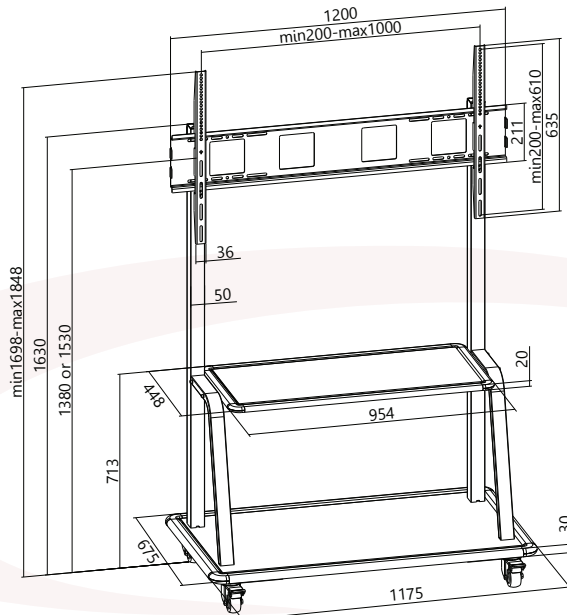
ADJUSTABLE HEIGHT: 1380 / 1530 MM  
BRAKED WHEELS  
AV SHELF INCLUDED



200x200 to 1000x600



BLACK COLOR



ALL DIMENSIONS (MM)