



# VWA1190B

EAN 5603209000441



## 42"-100"

### CART MOUNT 42-100"

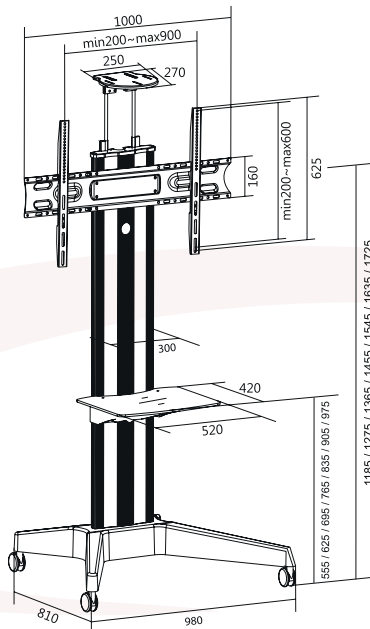
ADJUSTABLE HEIGHT: 1185 TO 1725MM  
CAMERA SHELF HEIGHT: MAX 2280MM  
HIGH-END BRAKED WHEELS



200x200 to 900x600



BLACK COLOR



ALL DIMENSIONS (MM)