

Bergen AV 2

Bergen rapidly stood out of the NorStone range as the favorite furniture of audio addicts. Bergen AV 2 now perfects this very efficient concept.

Rigidity has been increased by the way shelves are fastened between the different feet parts. Each level, including the lower one, has its own spikes and counterspikes system. Thus this piece of furniture becomes a valued ally against vibrations.

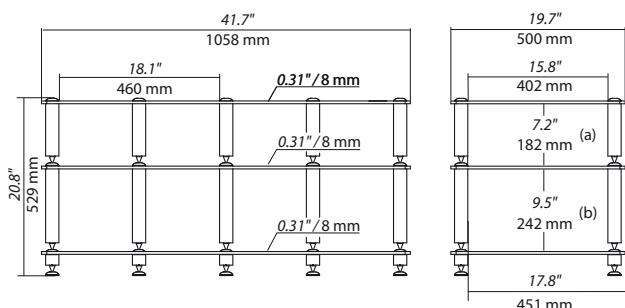
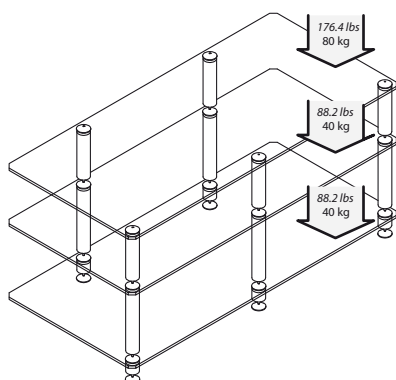
Bergen AV 2, with its 3 large shelves, is ideal for top of the range AV and hi-fi systems. Its top level has the perfect height for your flat screen. It's well fitted for video as well as for hi-fi. You'll appreciate the shelves alignment with Bergen 2 ones. Both will give birth to a very nice combination.



In the same range:
Bergen 2



SPECIFICATIONS



DESIGN

Finish: *Glossy Black/Black*

Structure: Glossy black powder coated steel

Shelves: Black lacquered tempered glass

MAXIMUM LOAD

Upper shelf: 176.4 lbs / 80 kg

Internal shelf: 88.2 lbs / 40 kg

Lower shelf: 88.2 lbs / 40 kg

USABLE DIMENSIONS

Overall dimensions (W x H x D):

41.7" x 20.8" x 19.7" / 1058 x 529 x 500 mm

Shelves (W x D): 18.1" x 15.8" (x2) / 460 x 402 mm (x2)

Height between shelves: (a) 7.2" / 182 mm
(b) 9.5" / 242 mm

PACKAGING

Delivered disassembled with screws kit, mounting instructions tools

Quantity/box: 1

Type: Brown cardboard

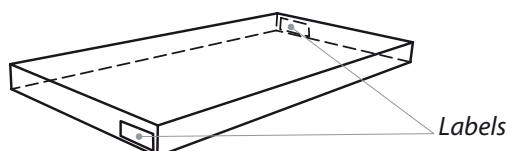
Dimensions (W x H x D):

45.3" x 4.5" x 23" / 1150 x 115 x 585 mm

Gross weight: 88 lbs / 39,9 kg

Net weight: 77.2 lbs / 35 kg

GenCode: 3760108801707



Labels