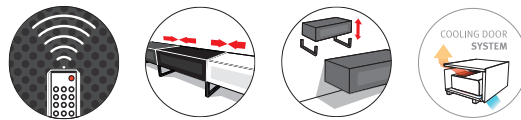




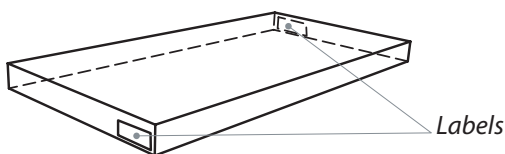
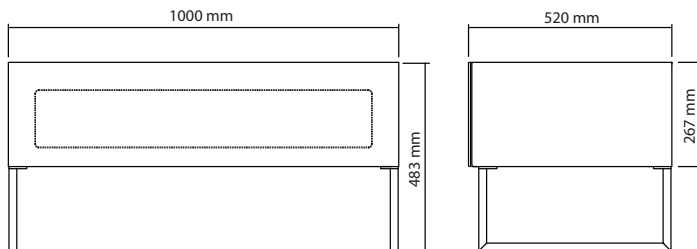
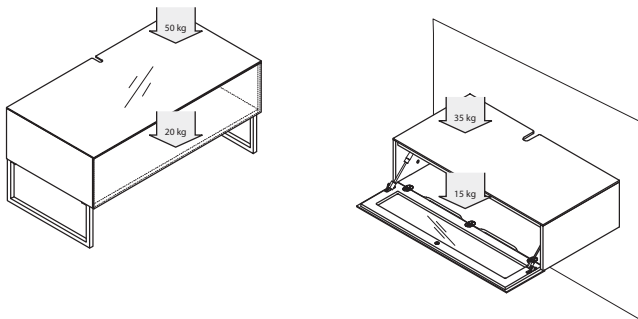
Khalm

Remarkably sleek, the Khalm can be adjusted according to your needs!

Sleek and refined, this piece features a compartment with a swing door that allows infrared signals to pass through. With its adjustable feet, the Khalm can be set against a wall at the desired height. This piece is also practical: the rear section of the Khalm has been designed to allow wiring to pass both through the back and the bottom of the piece. Choose 1, 2, or 3 compartments in your choice of 3 available colors and personalize your home's furniture arrangement: so your home matches you!



SPECIFICATIONS



DESIGN

Finishes: *Black*
White
Grey

Structure: Laquered MDF and chrome steel stand

USABLE DIMENSIONS

Overall dimensions (W x H x D): 1000x483x 520 mm

Upper shelf (W x D): 1000x520 mm

Internal shelves (W x D): 964x441 mm

PACKAGING

Delivered disassembled with screws kit, mounting instructions and tools

Quantity/box: 1 – **Type:** Brown cardboard

Dimensions (W x H x D): 1110 x 600 x 140mm

Net Weight: 26 kg

Gross Weight: 28 kg

SKU: NORKHA100ABKP (black)
NORKHA100AGRP (grey)
NORKHA100AWTP (white)

GenCode: 3760108808263 (*Khalm Black/Black*)
3760108808270 (*Khalm White/White*)
3760108808287 (*Khalm Grey/Grey*)