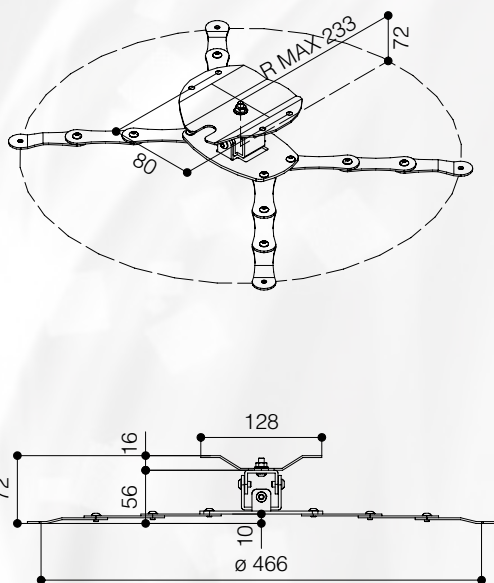


## PROJECTOR ARM B-7

**PROJECTOR ARM B-7** is entirely made of strong metal the distance between ceiling and projector will be 70 mm.

- Bracket made with strong metal and painted with grey epoxy powders (RAL 9006)
- Maximum projector weight: kg. 15
- Approx. net weight: kg. 1
- Approx. gross weight: kg. 1,5
- Universal spider system completely hidden within the projector surface
- Kit includes several sizes of screws for fixing the projector to the bracket
- Up and down tilt: possibility of +/- 30° degrees



**PROJECTOR ARM B-7**

**EUROSCREEN S.r.l.**

Via Stiria, 45/16 - 33100 Udine - Italy

Tel. +39 0432 522755

info@screenint.com

www.screenint.com

