



**FLAT ELASTIC
with floorstands**
(optional)

TECHNICAL SPECIFICATIONS

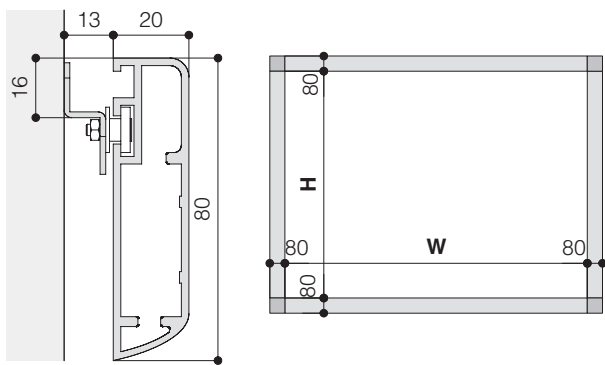
FLAT ELASTIC and **FLAT PRESS** are the right solutions for the installer who needs a frame screen either for rear or for front projection. They bring together high quality standards with a good versatility.

Available 1:1, 4:3, 16:9 and 16:10 formats or customized sizes.

- Smart design and easy to install
- Aluminium frame painted with dull black epoxy powders (RAL 9005) and plastic joint corners for safety reasons*
- On request the corners can be of aluminium cut at 45°
- Frame dimensions: 80x20 mm. (WxD)
- Flat elastic: projection surface anchoring system with galvanized rods and rubber bands
- Flat press: projection surface anchoring system with press - stud buttons
- Wall mounting brackets on upper and lower frame for safe installation
- Flame-retardant projection surfaces - classification M1 and B1

*Aluminium corners cut at 45° on screens bigger than 300 cm. of width.

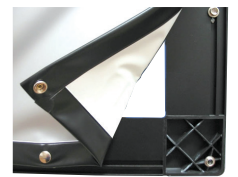
PROFILE



Wall bracket



Flat Elastic anchoring system



Flat Press anchoring system

Warranty: 24 months

DIMENSIONS

measures in cm

1:1 Ratio Viewing area (WxH)	4:3 Ratio Viewing area (WxH)	16:9 Ratio Viewing area (WxH)	16:10 Ratio Viewing area (WxH)	Approx. net weight (Kg)
160 x 160	160 x 120	160 x 90	160 x 100	11
180 x 180	180 x 135	180 x 101	180 x 112	13
200 x 200	200 x 150	200 x 112	200 x 125	14
220 x 220	220 x 165	220 x 124	220 x 137	16
250 x 250	250 x 190	250 x 140	250 x 156	19
300 x 300	300 x 225	300 x 169	300 x 187	23
	350 x 265	350 x 197	350 x 219	27
	400 x 300	400 x 225	400 x 250	31

*Limited in height

PROJECTION CLOTHS

Front projection surfaces	Gain	Rear projection surfaces	Gain
White	1.2	Rear Plus	1.1
White Pearl	1.2	Rear Lux R114	2.5
Lumi Grey	0.8	Front Rear	0.9
Cinesound*	0.7		
Microperforated	1.1		
Lumi Grey Microperforated	0.8		
Foldaway*	1.5		
Fibre Matte*	1.25		
Hi-Light*	2.3		
Bright Contrast 3D*	1.4		

The measures in the drawings are expressed in millimetres.