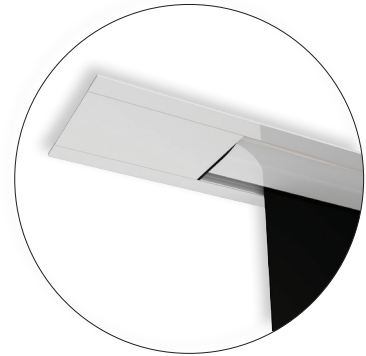
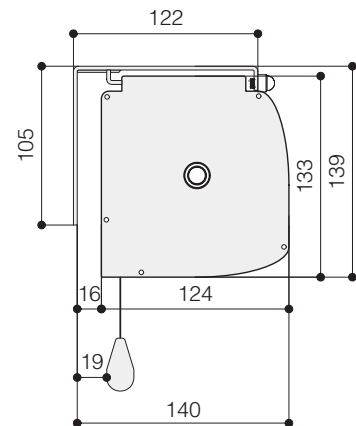


from 350 cm. to 400 cm. wide



**False ceiling trim kit**  
(optional - for details see p. 48)

### HOUSING DIMENSIONS

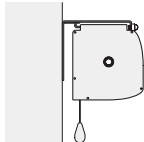


### TECHNICAL SPECIFICATIONS

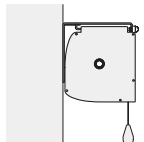
- Silent motor system provides a smooth and quiet operation
  - Power: **10 Nm**
  - Speed: **17 rpm**
  - Power supply: **230V / 50 Hz**
  - Consumption: **156 W**
  - Certification: **IMQ**
- Totally manufactured from aluminium
- Housing dimensions: 124x133 mm. (DxH)
- Housing painted with white epoxy powders (RAL 9010)
- Power cable located at the **right** side of the screen housing seen from the front
- Flame-retardant projection surfaces – classification M1 and B1
- Black side borders of 5 cm., black bottom border of 5 cm., black top drop of 30 cm. and black dowel bar: height 35 mm. depth 20 mm.

Nm 9  
Rpm 26  
Faster and quiet motor  
(optional)

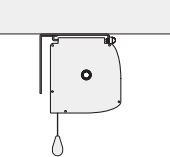
**WALL MOUNTING**



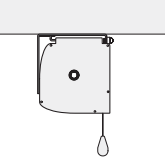
**FRONT FALL**



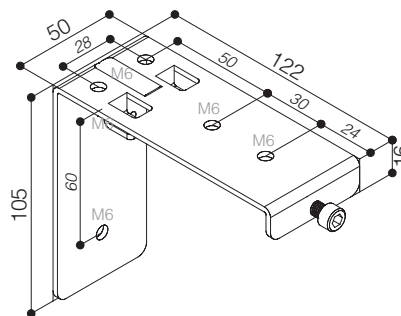
**CEILING MOUNTING**



**FRONT FALL**

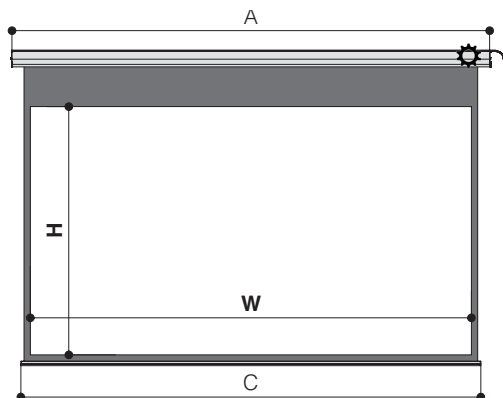


**WALL CEILING BRACKET**



The **MAJOR HOME CINEMA** is an electric screen dedicated to the Home Theatre market with high quality features. It has a 30 cm. black drop on the top of the projection surface and black side borders that let perceive a brighter and sharper image.

Available in 4:3, 16:9, 16:10 ratios or customized sizes.



n.4 Wall/Ceiling brackets



n.1 On/off switcher



RF Remote control with receiver built-in motor



Kit RF Remote control with external receiver



Interface switch 12 volt



Low voltage contact interface

**INCLUDED**

**OPTIONAL** pag 62-63

### DIMENSIONS

measures in cm

4:3 Ratio Viewing area (WxH)	16:9 Ratio Viewing area (WxH)	16:10 Ratio Viewing area (WxH)	Overall dimensions A - C	Approx. net weight (Kg)
350 x 265	350 x 197	350 x 219	371 - 364	29
400 x 300	400 x 225	400 x 250	421 - 414	34

### PROJECTION CLOTHS

Front projection surfaces	Gain		Gain
Matte White	1.2	Lumi Grey Microperforated	0.8
Lumi Grey	0.8		
Microperforated	1.1		

**Warranty:** 5 years on the motor - 24 months on the other components

**ENGINEERED LIKE NO OTHER SCREEN IN THE WORLD**

The measures in the drawings are expressed in millimetres.