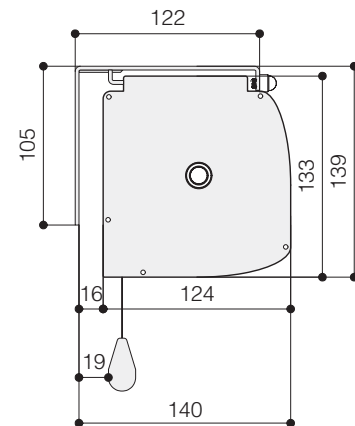


from 300 cm. to 400 cm. wide



False ceiling trim kit
(optional - for details see p. 48)

HOUSING DIMENSIONS

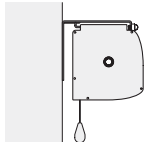


TECHNICAL SPECIFICATIONS

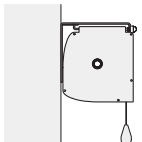
- Silent motor system provides a smooth and quiet operation
 - Power: **10 Nm**
 - Speed: **17 rpm**
 - Power supply: **230V / 50 Hz**
 - Consumption: **156 W**
 - Certification: **IMQ**
- Totally manufactured from aluminium
- Housing dimensions: 124x133 mm. (DxH)
- Housing painted with white epoxy powders (RAL 9010)
- Power cable located at the **right** side of the screen housing seen from the front
- Flame-retardant projection surfaces – classification M1 and B1
- Black side borders of 5 cm. (in the narrowest point), black bottom border of 5 cm., black top drop of 30 cm. and black dowel bar: height 35 mm. depth 20 mm.
- Hour-shape glass tensioning system to provide perfect flatness

Nm 9
Rpm 26
Faster and quiet motor
(optional)

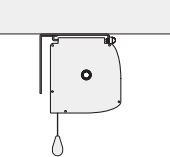
WALL MOUNTING



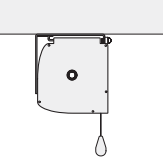
FRONT FALL



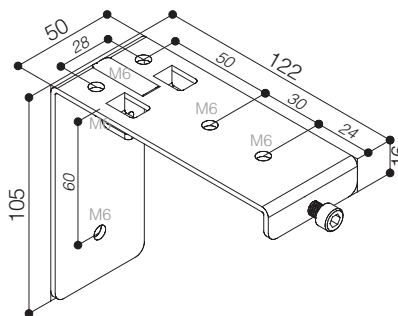
CEILING MOUNTING



FRONT FALL

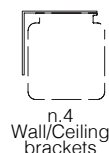
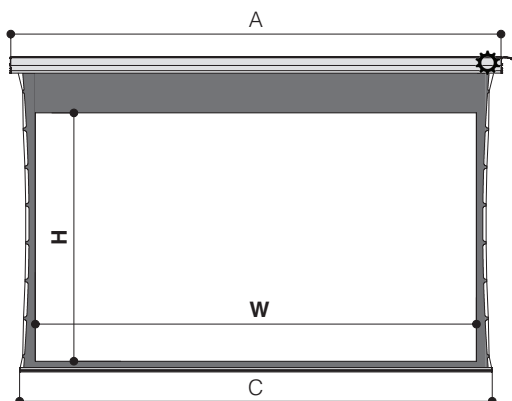


WALL CEILING BRACKET



The **MAJOR TENSIONED** is also a motorized screen but it has a peculiar tensioning system on each side which assures the best possible surface flatness where the projection screen needs to be the finest quality.

Available in 4:3, 16:9, 16:10 ratios or customized sizes.



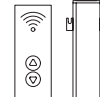
n.4 Wall/Ceiling brackets



n.1 On/off switch



RF Remote control with receiver built-in motor



Kit RF Remote control with external receiver



Interface switch 12 volt



Low voltage contact interface

INCLUDED

OPTIONAL

pag 62-63

DIMENSIONS

measures in cm

4:3 Ratio Viewing area (WxH)	16:9 Ratio Viewing area (WxH)	16:10 Ratio Viewing area (WxH)	Overall dimensions A - C	Approx. net weight (Kg)
300 x 225	300 x 169	300 x 187	340 - 334	27
350 x 265	350 x 197	350 x 219	390 - 384	32
400 x 300	400 x 225	400 x 250	440 - 434	36

PROJECTION CLOTHS

Front projection surfaces	Gain		Gain
Matte White	1.2	Lumi Grey Microperforated	0.8
Lumi Grey	0.8	Cinesound*	0.7
Microperforated	1.1	Bright Contrast 3D*	1.4

Warranty: 5 years on the motor - 24 months on the other components

*Limited in height

