



The heavy **PROJECTOR LIFT SERIES SI-H XL 300** is a very strong and reliable range of lifts specifically developed for large venue applications where large projectors need to be moved.

These lifts are equipped with heavy-duty but silent motor which assures a fast and stable up and down movement of the projector.

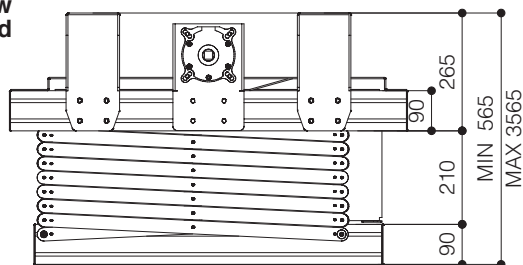
Also a **SAFETY DEVICE** is built-in in order to offer maximum security in case of any failure of the mechanism.

The projector anchoring frame movement is controlled by two strong steel cables that are certified for a maximum load of 350 kg. each.

A unique and professional cable management system is supplied integrated in the product. This allows to connect safely and tidily the projector with the power and signal cables.

Optional: RF remote control (details p. 62)

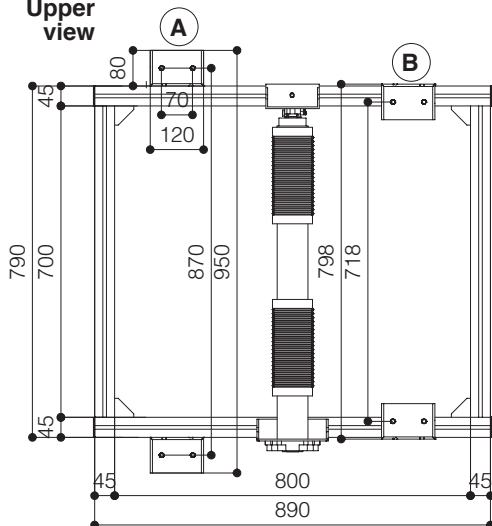
Side view closed



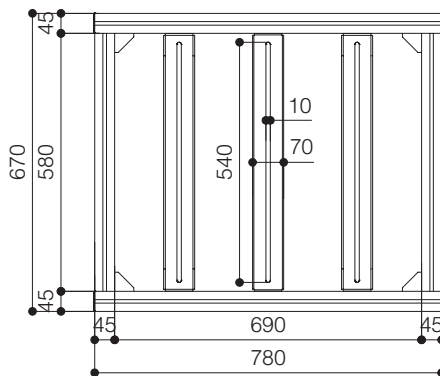
POSSIBILITIES TO FIX THE MOUNTING BRACKETS

- A** You can see the brackets mounted turned OUTSIDE.
- B** You can see the brackets mounted turned INSIDE.

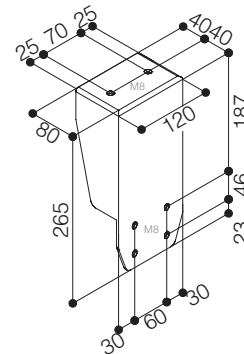
Upper view



Projector anchoring points



Mounting bracket



TECHNICAL SPECIFICATIONS

POWER SUPPLY	220-230V - 50HZ
MAXIMUM CONSUMPTION	265 W
TORQUE	60 Nm
MOTOR SPEED	11 rpm
DIMENSIONS CLOSED	790x565x890 (WxHxD in mm)
DIMENSIONS OPENED	790x3565x890 (WxHxD in mm)
ROLL UP SPEED	19 sec/m
ROLL DOWN SPEED	24 sec/m
MAXIMUM LOAD OF THE PROJECTOR	70 Kg
NET WEIGHT	70 Kg
CABLE GATHERING SYSTEM (internal dimensions)	50x18 (WxH in mm)

Warranty: 5 years on the motor - 24 months on the other components

ENGINEERED LIKE NO OTHER SCREEN IN THE WORLD