

This **SCREEN WINCH SYSTEM** is a particular lift that enables to lower until 7 mt. electrical screens from 300 cm. to 450 cm. of width.

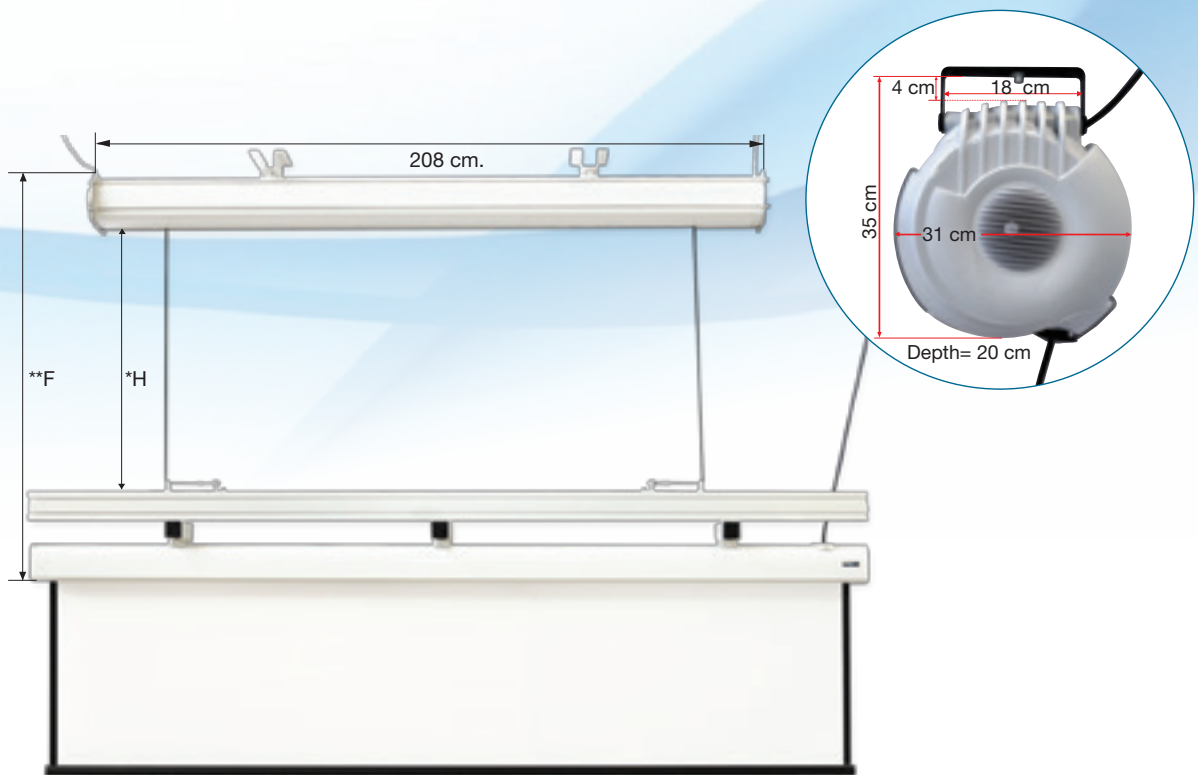
The Screen Winch is supplied with a manual switch but can be also ordered with an external multichannel RF remote control.

It is supplied with six brackets: three for fixing the winch to the ceiling and three for mounting the screen to the beam.

A cable coiler, to be fixed to the ceiling behind the screen winch, is included; its purpose is to supply power to the electrical projection screen.

A **SAFETY DEVICE** is built-in in order to offer maximum security in case of any failure of the mechanism.

Optional available: mounting brackets for sloping ceiling or wall mounting.



*H min: 6 cm (Screen Winch in closed position)

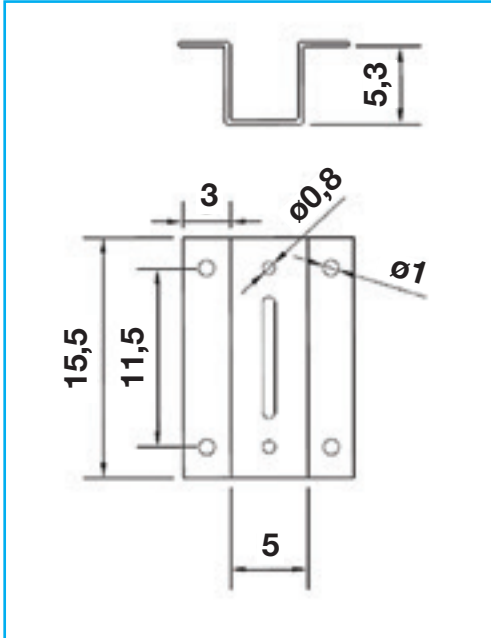
*H max: 700 cm. (Screen Winch in maximum open position)

**F Screen Winch in closed position: 52 cm.

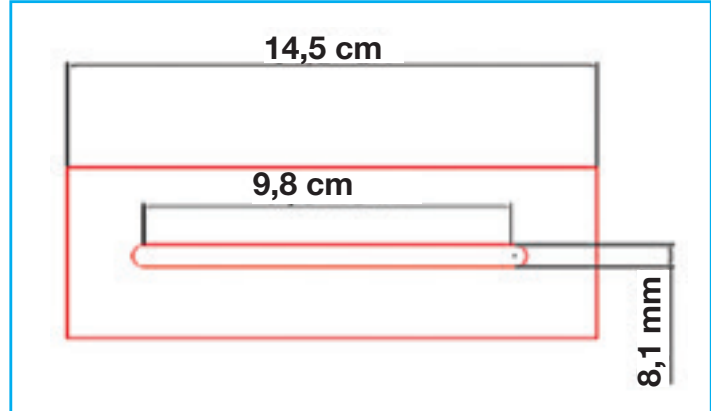
Technical features:

- Motor: - Power 50 Nm
- Speed 11 rpm
- Consumption 255 W
- Roll down speed of Screen Winch System: 19 sec./metre
- Two strong steel cables diameter: 3 mm. – Breaking test load: 350 kg. for each cable
- Screen Winch housing dimensions: 2080x200x170 (WxDxH in mm.)
- Beam dimensions: 45x90 (DxH in mm.) – Length of the beam is approximately the same of the length of the projection screen housing
- Net weight of the Screen Winch System: kg. 40
- Maximum load that can be hung to the beam: kg. 36
- Stroke of the winch: up to 7 mt.
- On the Screen Winch can be only mounted one of the following screens MAJOR from 300 cm. up to 450 cm. of width.

TECHNICAL SPECIFICATIONS



TOP VIEW OF FIXING BRACKET
between SCREEN WINCH
and CEILING



TOP VIEW OF MOUNTING BRACKET between
BEAM and SCREEN

OPTIONALS



Multichannel RF
remote control



Brackets
for sloping
ceiling or wall
mounting



CABLE COILER